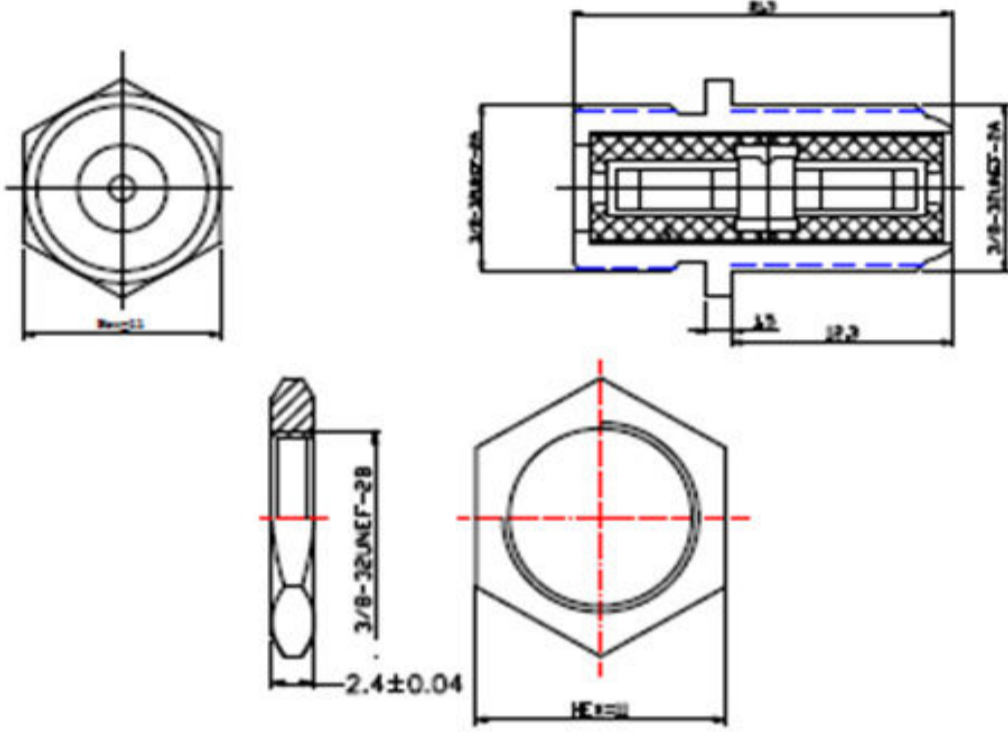


TRANS INDIA BUSINESS SOLUTIONS PVT LTD		TITLE	F Female Bulkhead
DRAWING NO	HT8512	PART NUMBER	HT8512

Barrel Splice F Type F Female to F Female

Detail Drawing:



Sr. No.	Part Name	Material	Plating
1	Nut	Brass (HPb59-1)	Ni
2	Body	Brass (HPb59-1)	Ni
3	Insulator	PE	White
4	Center Conductor	Phosphor Bronze	Ni
5	Washer	Iron	Ni

Specifications -												
Bandwidth	:		<table border="1" style="width: 100%; border-collapse: collapse;"> <tr> <td style="width: 33%;">0 MHz to 1 GHz</td> <td style="width: 33%;">> 30 dB (S.R.L.)</td> <td style="width: 33%;">< 0.05dB (I.L.)</td> </tr> <tr> <td>1 GHz to 2 GHz</td> <td>> 30 dB (S.R.L.)</td> <td>< 0.05dB (I.L.)</td> </tr> <tr> <td>2 GHz to 3 GHz</td> <td>> 25 dB (S.R.L.)</td> <td>< 0.10dB (I.L.)</td> </tr> </table>	0 MHz to 1 GHz	> 30 dB (S.R.L.)	< 0.05dB (I.L.)	1 GHz to 2 GHz	> 30 dB (S.R.L.)	< 0.05dB (I.L.)	2 GHz to 3 GHz	> 25 dB (S.R.L.)	< 0.10dB (I.L.)
0 MHz to 1 GHz	> 30 dB (S.R.L.)	< 0.05dB (I.L.)										
1 GHz to 2 GHz	> 30 dB (S.R.L.)	< 0.05dB (I.L.)										
2 GHz to 3 GHz	> 25 dB (S.R.L.)	< 0.10dB (I.L.)										
Impedance	:	75 Ohm										
Return Loss	:	Minimum -25db from 5MHZ to 1GHZ										
Operating Voltage Rating	:	90 Volts (@ 60Hz continuous AC)										
Operating Temperature Range	:	-40° to +140° F										